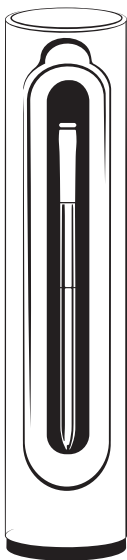


# thermomix

VORWERK

## Sensor



User manual / Manuel d'utilisation /

دليل الاستخدام

EG TN SAAE KW MA • V2.0 • 27464

02/24

English ..... 3

Français ..... 21

العربية ..... 40

# 1 Before You Start

As a Thermomix® user, you are already familiar with Thermomix® TM6 and its accessories.

You will already have familiarised yourself with the safety features of Thermomix® Sensor, having read the General Product Information, which was supplied with Thermomix® Sensor.

This user manual will now familiarise you with the use of Thermomix® Sensor.

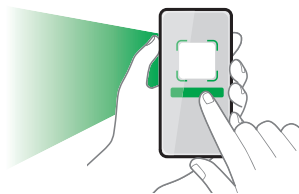
Read all the relevant documents carefully before using Thermomix® Sensor for the first time.

Please also read and follow the instructions in the manual that was supplied with Thermomix® TM6.

If you do not have the user manual to hand, all manuals are available online at <https://thermomix.vorwerk.com>.

## Welcome Booklet

Read our digital welcome booklet for more inspiration and tips on using Thermomix® Sensor. It also contains troubleshooting information, FAQs and helpful tips on how to use Thermomix® Sensor correctly.



## 1.1 Classification of Safety Warning Messages

The safety warning messages in this manual are highlighted by safety symbols and signal words. The symbol and signal word indicate the severity of the potential hazard. The safety warning messages are shown as follows:



### WARNING

#### Type and source of hazard

Explanation of type and source of hazard/  
consequences

- Measures to prevent hazard.

## Meaning of Signal Words

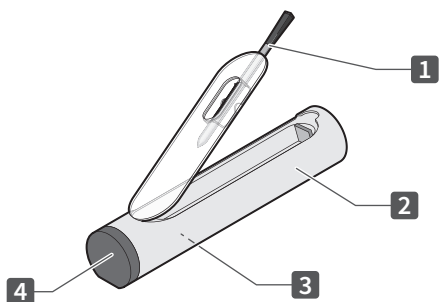
WARNING	Risk of death or serious injury if hazard is not avoided.
CAUTION	Risk of minor injury if hazard is not avoided.
NOTE	Material damage if hazard is not avoided.

## 1.2 Obligations of the User

To ensure that your Vorwerk device and accessories operate correctly, please follow the guidelines below:

1. Read all accompanying documents carefully.
2. Keep the documents in a place where they can easily be accessed, should you need to refer to them.
3. Ensure that any damage is repaired without delay and damaged parts are replaced immediately. Contact [Customer Care](#) [▶ page 18] for further assistance.

## 2 Product Overview



1 Probe

3 Battery compartment (on reverse of the charger)

2 Charger

4 Holder

## 3 Intended Use

Use the device and accessories only for their intended purpose in order to minimise risks to you and other people and to minimise damage to the device or to other property and equipment.

Thermomix® Sensor is an accessory for Thermomix® TM6. It measures the core temperature of food and is suitable for use in the home or similar environments.

The probe is only intended to be used with food.

The ambient temperature sensor, which measures the ambient temperature, i.e. the temperature in the oven or grill, is located in the top section of the probe (black ceramic). The ambient temperature must **never** exceed 275°C.

The core temperature sensor is located approx. 2 cm away from the tip and measures the core temperature of the food. The core temperature is the temperature inside the food. This part of the probe must not be heated above 100°C.

The probe is intended for measuring the temperature of food in standard ovens. Use in combination microwave ovens is not always possible due to the heavy shielding of these ovens. Never use the probe in conjunction with the microwave function in combination microwave ovens.

Store the probe in its charger in a cool, dry place when not in use.

This accessory is exclusively intended for use by adults. It may not be used by children even when supervised by an adult.

Keep children away from appliances that are in use.

Close supervision is necessary when this accessory is used near children.

Children must not play with this accessory.

The accessory may be used by persons with reduced physical, sensory or mental capabilities, or lack of experience and/or knowledge, only if they are supervised or instructed with regard to the safe use of the appliance and understand the resulting hazards.

This appliance may only be used for its intended purpose. No other use is permitted. The manufacturer bears no responsibility for damages resulting from improper use. If the appliance is subject to technical modifications, the warranty and liability for material defects shall be rendered invalid. If technical modifications are made to the product, the manufacturer's obligation to compensate for product liability and/or the dealer's obligation to compensate for material defects shall no longer apply.

The device complies with the safety regulations of the country in which it has been sold by an authorised Vorwerk organisation. If the device is used in another country, compliance with the local safety standards cannot be guaranteed. Vorwerk therefore assumes no liability for any resulting safety risks for the user.

When working with the device, please observe all the accompanying documentation as well as the device display. The manufacturer accepts no liability for damages resulting from improper use.

## 4 For Your Safety

Safety is an essential part of every Vorwerk product. However, product safety can only be assured if the device is used correctly and all safety instructions are followed.

## 4.1 Hazards and Safety Instructions

### WARNING

#### Explosion hazard

If the rechargeable batteries built into the tip of the probe are not protected from high heat levels ( $> 100^{\circ}\text{C}$ ), the probe could explode.

Therefore:

- Insert the probe into the food away from any heat sources and only remove it once the food and probe are no longer exposed to the heat source.
- Always insert the probe into food beyond the notch. The only exception to this rule are foods that significantly increase in size, such as cake batters. In such cases, the notch may be uncovered to start with, but will then become covered during the course of the bake.
- Make sure that the probe is securely in place and does not accidentally move out of position.
- Do not use the probe in sugar-based foods (e.g. caramel), as a much higher temperature is used for these.

#### Explosion hazard

When the batteries built into the probe overheat, the probe could explode.

- Use the probe at a maximum ambient temperature of  $275^{\circ}\text{C}$ .
- **Never** put the probe onto a fire or hot coals.
- Never expose the probe to direct flames.
- Do not use the probe while deep frying or on a very high heat (e.g. sizzle zone or sear zone).
- **Never** use the probe with a microwave function or in a pressure cooker.
- If, however, the probe should become exposed to high temperatures, protect your eyes before you remove the probe and carefully allow it to cool down.
- If the probe falls onto a fire or a direct heat source, switch off the cooking appliance or grill and immediately put the lid on. Allow the probe to cool completely before taking it out.

## **Explosion hazard**

**The charger, and in particular the battery supplied with it, are not heat-resistant.**

- Do not expose the battery and charger to heat sources, especially open fires, or place them on hot surfaces.
- Use the magnetic holder only on cool, heat-insulated oven doors.

## **Explosion hazard**

**If a battery falls onto the floor, is thrown or subjected to other heavy knocks, the battery's insulating shell or structure can get damaged, which can result in leakage, an internal short circuit or other anomalies. An internal short circuit can cause overheating, leakage, an explosion or a fire.**

- Handle the battery with care.

## **Risk of burns**

**When used at high ambient temperatures, the probe and food will heat up.**

- Never touch the probe with bare hands when hot.
- Protect yourself against burns by using heat-resistant gloves, oven cloths or the holder if touching the hot probe or the oven or grill, etc.

## **Fire hazard**

**If incorrect batteries are used, mechanical overload (dropping the charger) can result in a fire.**

- Only use non-rechargeable alkaline batteries of type LR03, AAA, 1.5V cell (1.5V primary cell).
- Handle the charger with care.



## Risk to health

The consumption of insufficiently cooked food (especially meat, fish or seafood) can cause food poisoning.

- Please also refer to the section on [Selection of the Core Temperature](#) [▶ page 12].
- Make sure that the tip of the probe is placed roughly into the centre of the thickest part of the food, without touching any bones or the baking dish/tray.
- Handle food and the areas that come into contact with food carefully and clean them thoroughly (including hands and probe) to prevent the spread of germs.

## Risk to health

The holder is only food-safe up to 220°C.

- Never use the holder at ambient temperatures above 220°C.

## Risk of injury

Broken ceramic can have sharp edges and cause injury.

- Check the probe for damage when inserting it and removing it from food.
- Do not continue to use the probe if it is broken.
- Protect yourself from sharp-edged fragments.
- If the probe has been dropped, check it for damage before charging or using it.

## Risk of injury

The tip of the probe is pointed.

- Keep the tip of the probe away from the body.
- Clean the probe after use to avoid the risk of germs in the event of an injury.
- Keep the probe out of the reach of children.

## **Risk of contact with dangerous substances**

**Leaked electrolyte from batteries and rechargeable batteries can cause injuries.**

- Do not touch leaked electrolytes or electrolyte residues from leaking batteries or rechargeable batteries without skin or eye protection.
- Leaking electrolytes must not come into contact with skin, eyes or mucous membranes.
- In case of accidental contact, immediately wash your hands and flush the eyes or mucous membranes with plenty of clean water.
- If irritation persists or the electrolyte has come into contact with the eyes or mucous membranes, seek medical advice.
- Clothing and textiles that have come into contact with leaked electrolyte or electrolyte residues must be thoroughly washed immediately or disposed of.
- Leaked electrolyte, electrolyte residues as well as leaking batteries and rechargeable batteries are flammable. Keep them away from fire and heat.

## **Risk of contact with dangerous substances**

**Leaked electrolyte in food can cause injuries.**

- If the batteries have exploded, do not consume the food that has been cooked.

## **Choking hazard**

**Small parts may enter the airways and cause choking.**

- The AAA battery used in the charger is a small part. Keep small parts out of the reach of children.

## **Risk due to magnetism**

**Magnets are fitted to the outer surface of the charger. Magnets can affect pacemakers and internal defibrillators.**

- Keep the magnet away from pacemakers, internal defibrillators and other active implants.
- Alert the people concerned.

## Risk of fire or explosion

Charging non-rechargeable batteries can cause a fire or explosion.

- Only use non-rechargeable alkaline batteries of type LR03, AAA, 1.5V cell (1.5V primary cell).



## NOTE

### Risk of damage

The charger can get damaged if handled incorrectly.

- Only place the probe into the charger once it has cooled down and is clean and dry.

### Risk of damage

The probe can get damaged if handled incorrectly.

- Allow the probe to cool down before cleaning it with water.
- If the probe is difficult to remove, pull and rotate the outer end.
- Do **not** bend the probe.
- Handle the probe with care.

### Risk of damage

The probe can get damaged if used incorrectly.

- Do **not** exceed 100°C in the area around the core temperature sensor (2 cm away from the tip).
- Do **not** exceed 275°C around the area of the ambient temperature sensor. Temperatures above these maximum values can damage the probe.
- To ensure the safety of the probe, Thermomix® TM6 and Cooking Centre app will warn you when you are approaching these limits.

### Risk of damage

The device can get damaged if not cleaned correctly.

- Do **not** use cleaning products that contain alcohol, ammonia, benzene or abrasives as these could damage the device.
- Do **not** immerse the probe in water for long periods of time.

## Risk of damage to the charger

Moisture inside the charger can damage it.

- Never pour water over the charger.
- Do not hold the charger under running water.
- Never immerse the charger in water or other liquids.
- Only clean the charger with a slightly damp (not wet) cloth.
- Do not expose the charger to moisture.
- Keep the charger covered in inclement weather.
- Do not put the charger in the sink.
- Do not store the charger outdoors.

## Risk of damage due to magnetism

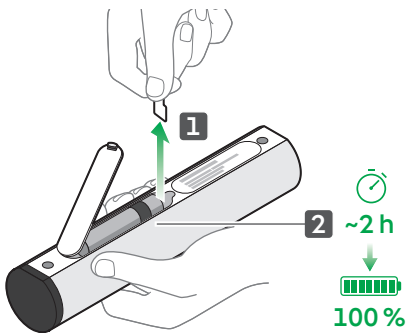
Magnets are fitted to the outer surface of the charger.

- Keep credit cards, electronic storage media and other objects that are sensitive to magnetic fields away from them.

## 4.2 Selection of the Core Temperature

When selecting the core temperature, the quality of the food, the safe handling of the food and the maintenance of the cold chain must be taken into consideration. Safe core temperatures are particularly important for people with weakened immune systems, including pregnant women, children and the elderly.

## 5 Getting started

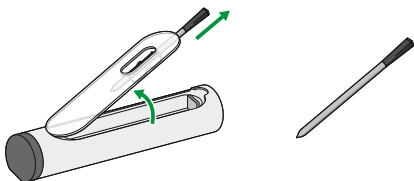


1. Open the battery compartment at the back of the charger and remove the protective film.

2. Allow the probe to charge for approx. 2 hours in the charger with the cover closed.



3. Download the Cooking Centre app.



4. Remove the probe from the charger.  
⇒ *The LED will flash green to indicate that the probe and charger are connected.*
5. Clean the probe with water and washing-up liquid to remove any production residues before using it for the first time.

## 6 Establishing a Bluetooth® Connection

Thermomix® TM6	Cooking Centre app
Activate the Bluetooth® function under <i>Settings</i> on Thermomix® TM6	Make sure that Bluetooth® is enabled on your mobile device.
Remove the probe from the charger. Pairing mode is enabled.	
On Thermomix® TM6, select the probe from the list under <i>Settings &gt; Connected devices</i> .	Press <b>+</b> in the app to select the probe from the list under <i>Select devices</i> .

The probe will now connect automatically as soon as it is removed from the charger and Bluetooth® is enabled on the paired devices.

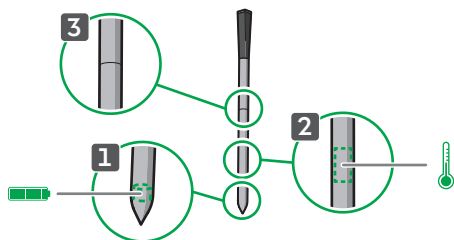
## 7 Operation

### 7.1 Switching on and off

When you take the probe out of the charger, it will automatically start up.

To switch the probe off, put it back into the charger and close the cover.

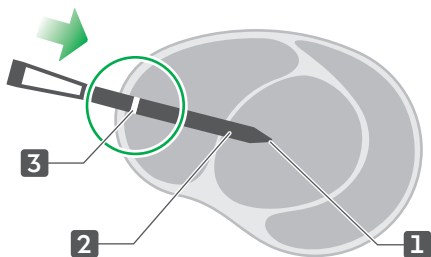
### 7.2 Design of the probe



1. The battery is located in the tip of the probe (1). Here, it is best protected from high temperatures.
2. The temperature sensor (2) is located 2cm away from the tip. Position this part of the probe as close to the centre of the food as possible when measuring the core temperature.
3. The notch (3) indicates how far the probe must be inserted into the food.

### 7.3 Inserting the probe into food being cooked

To insert the probe into the food, proceed as follows:

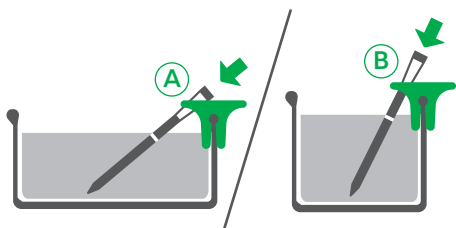


1. Insert the tip (1) of the probe into the food.

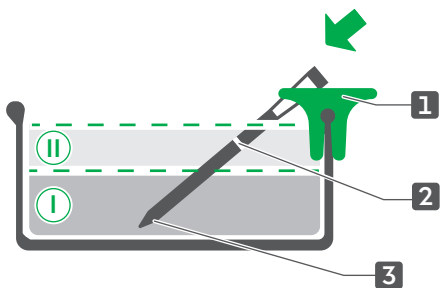
- The temperature sensor (2), which measures the core temperature, is located 2cm behind the tip. Position this part of the probe as close to the centre of the food as possible.
- The notch (3) will disappear into the food as you do so. This will ensure that the temperature sensor can correctly measure the internal temperature of the food.

### Using the holder

If the probe does not have a sufficiently firm hold in the food (for example, a cake batter or dough with a thinner consistency), you can attach the probe to the baking tin using the holder to ensure that the probe does not slide out. You can choose between two different insertion angles, A and B, depending on the size of the baking tin. Only use the holder up to a maximum temperature of 220°C.



For batters or doughs that rise, the insertion depth of the probe may vary.



I Dough fill level before baking: The probe is inserted at least halfway between the tip (3) and notch (2). The notch will be visible.

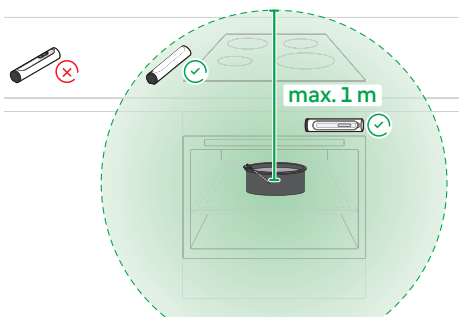
II During baking, the dough rises: The notch (2) is covered.

- Place the holder (1) onto the edge of the baking tin.

2. Depending on the preferred angle, select opening A or B and slide the probe through the holder and into the food.
3. Make sure that the tip of the probe (3) does not touch the baking tin.

## 7.4 Positioning the probe and charger

During the cooking process, the probe continually measures the core temperature and ambient temperature. The probe sends this data to the charger. This transfers the data to Thermomix® TM6 or the Cooking Centre app. It acts as a repeater and amplifies the signal.



1. For this reason, you should position the charger no more than 1 metre away from the probe. Depending on the shielding of the Bluetooth signal, by the oven door, for example, a shorter distance may be necessary. Thermomix® TM6 or the Cooking Centre app can be further away from the probe and its charger.
2. Place the charger on a cold surface. You can use the magnets to attach the charger to the front of the oven if it will remain cold during the cooking process. Alternatively, place the charger nearby on the kitchen worktop.

When the charger is connected to the probe, the LED on the charger will flash green.

If there is no connection, the LED will flash red. If this is the case, position the charger nearer the probe.



## 7.5 Cooking with the probe

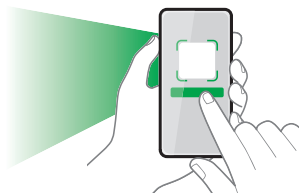
During the cooking process, the probe is permanently connected to the Cooking Centre on your Thermomix® TM6 and/or with the Cooking Centre app. This means that you receive information on the temperature and remaining cooking time.

- Follow the instructions on the display.

## 8 Cleaning

1. Clean the probe with water and washing-up liquid **before first use** and **after** every subsequent use.
2. Make sure that the probe is clean and completely dry before putting it back in the charger. Thorough cleaning will ensure that the probe can be charged.

## 9 Troubleshooting



## 10 Customer Care

For details of your local customer service centre please contact your Thermomix® Advisor, the Vorwerk Official Distributor in your country, or refer to <https://thermomix.vorwerk.com>.

## 11 Warranty/Liability for Material Defects

Thermomix® and its accessories may only be repaired by Vorwerk Customer Service or an authorised Vorwerk repair service.

Only use original parts supplied with Thermomix® or original spare parts from Vorwerk Thermomix®. Never use Thermomix® in combination with parts or equipment not provided by Vorwerk Thermomix® for Thermomix®. Otherwise your warranty and the liability for material defects shall be rendered void.

## 12 Disposal

---



This symbol means that electrical and electronic appliances may not be disposed of in the normal household waste. Old electronic appliances can be returned to municipal collection points for free.

---

Alternatively, you are able to return old electronic appliances to your local Vorwerk shop.

Registration number:

WEEE Reg. No. DE 86265910

## 13 Technical Data

---

### Thermomix® Sensor

---

#### Probe (TSNP)

---

Rated voltage of probe	2.4V
Capacity of probe	3mAh
Operating times	approx. 24 hours
Charge time	approx. 2 hours

---

#### Charger (TSNC)

---

Alkaline battery	AAA
Rated voltage of battery	1.5V
Operating temperature of charger	-5°C – 60°C

---

#### Information on Bluetooth® connectivity

---

2.4 GHz  
2.402 GHz – 2.480 GHz  
< 5 dBm  
Bluetooth® 5.0 Low Energy

---

The Bluetooth® word mark and logos are registered trademarks owned by Bluetooth SIG, Inc. Any use of these word marks and logos by Vorwerk Elektrowerke GmbH & Co. KG is under licence.

---

#### Declaration of conformity

---

Vorwerk Elektrowerke GmbH & Co. KG hereby declares that the radio equipment type Thermomix® Sensor is in compliance with the Directive 2014/53/EU.

The full text of the EU declaration of conformity is available online at the following address: <https://www.vorwerk-group.com/en/home/meta/ec-declaration-of-conformity>

---

Vorwerk Elektrowerke GmbH & Co. KG  
Mühlenweg 17-37  
42270 Wuppertal  
Germany

---

# 1 Avant la première utilisation

En tant qu'utilisateur du Thermomix®, vous connaissez déjà le Thermomix® TM6 et ses accessoires.

Ce manuel vous permet de vous familiariser avec l'utilisation du Thermomix® Sensor.

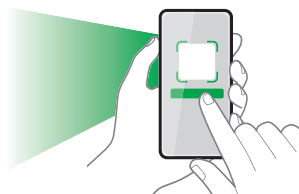
Lisez attentivement le manuel d'utilisation avant la première utilisation du Thermomix® Sensor.

Lisez et observez également le manuel d'utilisation du Thermomix® TM6 fourni avec l'appareil.

Si vous n'avez pas le manuel d'utilisation sous la main, vous pouvez consulter toutes les instructions en ligne sous <https://thermomix.vorwerk.com>.

## Guide de prise en main

Pour des conseils et plus d'inspiration concernant le Thermomix® Sensor, veuillez consulter notre Guide de prise en main numérique. Vous y trouverez également des informations sur le dépannage, les FAQ et conseils concernant l'utilisation correcte du Thermomix® Sensor.



## 1.1 Affichage des avertissements

Les avertissements contenus dans ce manuel sont mis en relief à l'aide de symboles de sécurité et mots de signalisation. Le symbole et le mot de signalisation vous indiquent la gravité du danger. Les avertissements sont représentés comme suit :



### AVERTISSEMENT

#### Nature et source du danger

Explication concernant la nature et la source du danger/conséquences

- Mesures visant à écarter le danger.

## Signification des mots de signalisation

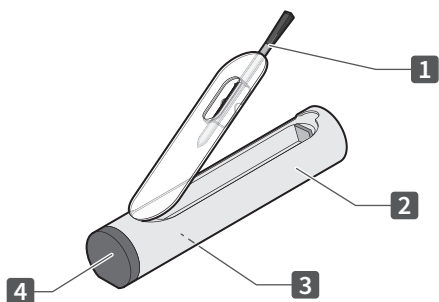
AVERTISSEMENT	Danger de mort ou risque de blessures graves si ce danger n'est pas évité.
ATTENTION	Risque de blessures légères si ce danger n'est pas évité.
REMARQUE	Domage matériel si ce danger n'est pas évité.

## 1.2 Obligations de l'utilisateur

Pour assurer le fonctionnement irréprochable de l'appareil et des accessoires Vorwerk, respectez les points suivants :

1. Observez les instructions du manuel d'utilisation et tous les documents associés.
2. Conservez le manuel dans un endroit où vous pourrez le retrouver facilement en cas de besoin.
3. Faites réparer les dommages survenus sans délai. Contactez le [Service Clients](#) [► Page 37] pour obtenir de l'aide.

## 2 Vue d'ensemble du produit



1 Sonde

3 Compartiment à piles (face arrière du chargeur)

2 Chargeur

4 Support pour la sonde

## 3 Utilisation conforme

L'appareil et ses accessoires ne doivent être utilisés que pour l'application pour laquelle ils ont été prévus afin de minimiser tout danger pour l'utilisateur ou des tiers, ainsi que tout endommagement de l'appareil et d'autres biens.

Le Thermomix® Sensor est un accessoire pour le Thermomix® TM6. Il mesure la température à cœur des aliments et convient à un usage domestique ou similaire.

La sonde est uniquement destinée à être utilisée avec des aliments.

Dans la partie supérieure de la sonde se trouve le capteur de température ambiante, qui mesure la température ambiante, c'est-à-dire la température du four ou du barbecue. La température ambiante ne doit **jamais** dépasser 275 °C.

Le capteur de température à cœur se trouve à environ 2 cm de la pointe et mesure la température à cœur de l'aliment. La température à cœur est le degré de chaleur au centre de l'aliment. Cette partie de la sonde ne doit pas être chauffée à plus de 100 °C.

La sonde est conçue pour mesurer la température des aliments dans des fours courants. L'utilisation dans des fours micro-ondes combinés n'est pas toujours possible en raison du fort blindage des fours.

Lorsqu'elle n'est pas utilisée, rangez la sonde dans son chargeur, dans un endroit sec et frais.

Les accessoires sont exclusivement destinés à une utilisation par des adultes. Ils ne doivent pas être utilisés par des enfants, même sous la surveillance d'un adulte.

Veillez à ce que les enfants ne s'approchent pas des appareils en fonctionnement.

Une surveillance renforcée s'impose lorsque les accessoires sont utilisés à proximité d'enfants.

En aucun cas, les enfants ne doivent être autorisés à jouer avec les accessoires.

Les accessoires peuvent être utilisés par des personnes présentant des capacités physiques, sensorielles ou mentales réduites, ou encore manquant d'expérience et/ou de connaissances, à condition que ces dernières soient supervisées ou instruites concernant leurs utilisations sans risque et qu'elles comprennent les dangers pouvant en découler.

Une utilisation à des fins autres que celles pour lesquelles le produit a été prévu n'est pas autorisée. Le fabricant décline toute responsabilité pour les dommages pouvant en résulter. En cas de modifications techniques effectuées sur le produit, tout droit à garantie/droit découlant du constat d'un vice devient caduc. L'obligation d'indemniser du fabricant découlant de sa responsabilité du fait des produits et/ou du revendeur pour vices matériels est exclue en cas de modifications techniques du produit.

L'appareil est conforme aux dispositions de sécurité du pays dans lequel il est distribué par une organisation Vorwerk agréée. Le respect des normes de sécurité locales d'un autre pays ne peut pas être garanti si l'appareil est utilisé dans un autre pays que celui de vente. C'est pourquoi Vorwerk décline toute responsabilité pour les risques de sécurité encourus de ce fait par l'utilisateur.

Pour tout travail effectué sur l'appareil, l'ensemble des documents associés ainsi que les affichages de l'appareil doivent être observés. Le fabricant ne répond pas des dommages pouvant découler d'une utilisation non conforme de l'appareil.



## 4 Pour votre sécurité

La sécurité optimale est l'une des qualités des produits Vorwerk. Néanmoins, la sécurité du produit ne peut être assurée que si vous utilisez l'appareil conformément à sa destination et que vous observez l'ensemble des consignes de sécurité.

### 4.1 Risques et consignes de sécurité



#### AVERTISSEMENT

##### Risque d'explosion

Si les batteries intégrées dans la pointe de la sonde sont exposées à des températures trop élevées ( $> 100\text{ }^{\circ}\text{C}$ ), la sonde risque d'exploser.

Pour cette raison :

- Introduisez la sonde dans l'aliment loin de toute source de chaleur et ne la retirez pas avant que l'aliment et la sonde ne soient plus exposés à la source de chaleur.
- Introduisez la sonde toujours au-delà de l'encoche dans l'aliment. Cela ne s'applique pas aux aliments qui augmentent considérablement de volume, tels que la pâte à gâteau. Dans ce cas, l'encoche peut d'abord être découverte et n'être recouverte qu'au cours de la cuisson.
- Assurez-vous que la sonde est bien fixée et qu'elle ne se détache pas involontairement.

## Risque d'explosion

**Si les batteries intégrées dans la sonde surchauffent, la sonde risque d'exploser.**

- Utilisez la sonde jusqu'à des températures ambiantes maximales de 275 °C.
- Ne posez **jamais** la sonde dans le feu ou dans des charbons ardents.
- N'exposez pas la sonde à des flammes nues.
- N'utilisez pas la sonde pendant la saisie à feu vif ou dans des zones à très forte chaleur (par exemple les flammes du barbecue).
- N'utilisez **jamais** la sonde au four micro-ondes ou dans l'autocuiseur.
- Si toutefois la sonde a été exposée à des températures trop élevées, protégez vos yeux avant de retirer la sonde et de la laisser refroidir doucement.
- Si la sonde tombe dans le feu ou dans une source de chaleur directe, éteignez l'appareil de cuisson ou le barbecue et fermez immédiatement le couvercle. Laissez la sonde complètement refroidir avant de la retirer.

## Risque d'explosion

**Le chargeur et en particulier la pile fournie ne résistent pas à la chaleur.**

- N'exposez pas la pile et le chargeur à des sources de chaleur, notamment à des flammes nues, et ne les posez pas sur des surfaces chaudes.
- Utilisez le support magnétique uniquement sur des portes de four froides et isolées thermiquement.

## Risque d'explosion

**Si une pile tombe, est lancée ou exposée autrement à des chocs violents, le corps isolant de la pile ou sa structure risquent d'être endommagés ce qui peut entraîner des fuites, un court-circuit interne ou d'autres anomalies. Un court-circuit interne peut provoquer une surchauffe, une fuite, une explosion ou un incendie.**

- Manipulez la pile avec précaution.

## Risque de brûlure

En cas d'utilisation à des températures ambiantes élevées, la sonde et les aliments à cuire chauffent.

- Ne touchez jamais la sonde chaude à mains nues.
- Utilisez des gants de cuisine résistants à la chaleur, des maniques ou le support pour vous protéger contre les brûlures lorsque vous touchez la sonde chaude ou le four, le barbecue, etc.

## Risque d'incendie

L'utilisation de piles inappropriées peut provoquer un incendie en cas de surcharge mécanique (chute du chargeur).

- Utilisez uniquement des piles alcalines non rechargeables de type LR03, AAA, cellule de 1,5V (cellule primaire de 1,5V).
- Manipulez le chargeur avec précaution.

## Mise en danger de la santé

La consommation d'aliments insuffisamment cuits (notamment viande, poisson ou fruits de mer) peut entraîner une intoxication alimentaire.

- Observez également le chapitre [Choix de la température à cœur](#) [► Page 31].
- Assurez-vous que la pointe de la sonde se trouve (approximativement) au centre de l'aliment pour mesurer la température à cœur.
- Manipulez les aliments et les surfaces en contact avec ceux-ci avec précaution et nettoyez-les soigneusement (y compris les mains et la sonde) pour éviter la propagation de germes.

## Mise en danger de la santé

La sécurité alimentaire du support n'est assurée que jusqu'à 220 °C.

- N'utilisez jamais le support à des températures ambiantes supérieures à 220 °C.

## Risque de blessure

**La céramique cassée peut présenter des bords tranchants et vous blesser.**

- Vérifiez que la sonde n'est pas endommagée lorsque vous l'insérez et la retirez de l'aliment.
- N'utilisez plus la sonde si elle est cassée.
- Protégez-vous des fragments à bords tranchants.
- Si la sonde est tombée, vérifiez qu'elle n'est pas endommagée avant de la recharger ou de l'utiliser.

## Risque de blessure

**La pointe de la sonde est pointue.**

- Éloignez la pointe de la sonde du corps.
- Nettoyez la sonde directement après utilisation afin d'éviter tout risque de pénétration de germes en cas de blessure.
- Conservez la sonde hors de portée des enfants.

## Danger dû au contact avec des substances dangereuses !

**Une fuite d'électrolyte des batteries ou des piles peut entraîner des blessures.**

- Ne touchez pas les électrolytes et les résidus d'électrolyte, par exemple sur des piles ou des batteries qui ont fui, sans protection cutanée et oculaire.
- L'électrolyte qui s'est écoulé ne doit pas entrer en contact avec la peau, les yeux et les muqueuses.
- En cas de contact accidentel, lavez-vous les mains et rincez immédiatement et abondamment les yeux ou les muqueuses à l'eau claire.
- Si les symptômes persistent ou si l'électrolyte est entré en contact avec les yeux ou les muqueuses, consultez un médecin.
- Lavez immédiatement et soigneusement les vêtements et les textiles qui ont été en contact avec des électrolytes ou des résidus d'électrolyte ou jetez-les.
- L'électrolyte qui s'est écoulé, les résidus d'électrolyte ainsi que les batteries ou les piles qui ont fui sont inflammables. Tenez-les éloignés du feu et de la chaleur.

## **Danger dû au contact avec des substances dangereuses !**

Une fuite d'électrolyte dans l'aliment peut entraîner des blessures.

- Si les piles explosent, ne consommez pas les aliments préparés.

## **Risque d'asphyxie !**

De petites pièces peuvent pénétrer dans les voies respiratoires et entraîner une asphyxie.

- La pile AAA utilisée dans le chargeur est une petite pièce. Gardez les petites pièces hors de portée des enfants.

## **Danger dû au magnétisme !**

Des aimants sont placés sur la surface extérieure du chargeur. Les aimants peuvent perturber le fonctionnement de stimulateurs cardiaques ou défibrillateurs internes.

- Tenez l'aimant à distance des stimulateurs cardiaques, des défibrillateurs internes ou de tout autre implant actif.
- Avertissez les personnes concernées.

## **Risque d'explosion ou d'incendie !**

Le chargement de piles non rechargeables peut provoquer un incendie ou une explosion !

- Utilisez uniquement des piles alcalines non rechargeables de type LR03, AAA, cellule de 1,5V (cellule primaire de 1,5V).



## **REMARQUE**

### **Risque d'endommagement**

En cas de manipulation incorrecte du chargeur, celui-ci peut être endommagé.

- Ne placez la sonde dans le chargeur que lorsqu'elle est refroidie, propre et sèche.

### **Risque d'endommagement**

En cas de manipulation incorrecte de la sonde, celle-ci peut être endommagée.

- Laissez la sonde refroidir avant de la nettoyer à l'eau.
- Si la sonde est difficile à retirer, tirez et tournez l'extrémité extérieure.
- Ne tordez **pas** la sonde.
- Manipulez la sonde avec précaution.

## Risque d'endommagement

En cas de manipulation incorrecte, la sonde peut être endommagée.

- Ne dépassez **pas** 100 °C au niveau du capteur de température à cœur (à 2 cm de la pointe).
- Ne dépassez **pas** 275 °C au niveau du capteur de température ambiante. Des températures supérieures à ces valeurs maximales peuvent endommager la sonde.
- Afin de garantir la sécurité de la sonde, le Thermomix® TM6 et l'application Cooking Center vous avertissent lorsque vous vous approchez de ces limites.

## Risque d'endommagement

Un nettoyage incorrect peut endommager l'appareil.

- N'utilisez **pas** de produits de nettoyage contenant de l'alcool, de l'ammonium, du benzène ou des abrasifs, car ils pourraient endommager l'appareil.
- Ne plongez **pas** la sonde dans l'eau pendant une période prolongée.

## Risque d'endommagement du chargeur

La présence d'humidité à l'intérieur du chargeur risque d'endommager celui-ci.

- Ne versez jamais de l'eau sur le chargeur.
- Ne passez pas le chargeur sous l'eau courante.
- Ne plongez jamais le chargeur dans l'eau ou tout autre liquide.
- Pour le nettoyage du chargeur, utilisez uniquement un chiffon légèrement humide, pas trempé.
- N'exposez pas le chargeur à l'humidité.
- Gardez le chargeur couvert par mauvais temps.
- Ne posez pas le chargeur dans l'évier.
- Ne rangez pas le chargeur en plein air.

## Risque d'endommagement dû au magnétisme

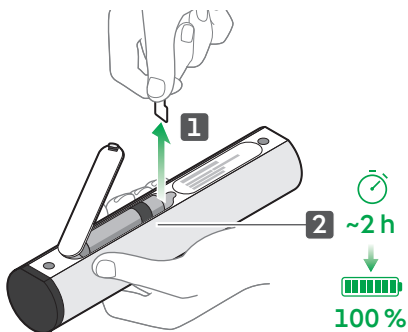
Des aimants sont placés sur la surface extérieure du chargeur.

- Tenez les cartes de crédit, supports de mémoire électroniques et autres objets sensibles à des champs magnétiques éloignés du chargeur.

## 4.2 Choix de la température à cœur

Lors du choix de la température à cœur, il convient de tenir compte de la qualité de l'aliment, de la propreté lors de la manipulation et du respect de la chaîne du froid. Observez en particulier les consignes concernant le choix de la température à cœur pour les personnes dont le système immunitaire est affaibli, notamment les femmes enceintes, les personnes âgées et les enfants.

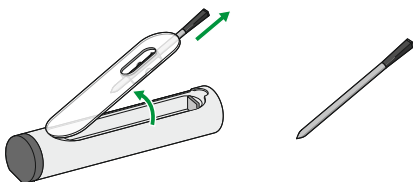
## 5 Premiers pas



1. Ouvrez le compartiment à piles à l'arrière du chargeur et retirez le film de protection.
2. Laissez la sonde se charger dans le chargeur, avec le couvercle fermé, pendant environ 2 heures.



3. Téléchargez l'application.



4. Retirez la sonde du chargeur.

- ⇒ *La LED clignote en vert pour indiquer que la sonde et le chargeur sont connectés.*
- Avant d'utiliser la sonde pour la première fois, nettoyez-la avec de l'eau et du liquide vaisselle pour éliminer les éventuels résidus de production.

## 6 Établir la connexion Bluetooth®

Thermomix® TM6	Application Cooking Center
Activez la fonction Bluetooth® sur le Thermomix® TM6 dans Réglages.	Assurez-vous que la fonction Bluetooth® de votre terminal mobile est activée.
Retirez la sonde du chargeur. Le mode de couplage est actif.	
Sélectionnez la sonde dans la liste figurant sous Réglages > Appareils connectés sur votre Thermomix® TM6.	Dans l'application, appuyez sur + pour sélectionner la sonde dans la liste sous Choisir un appareil.

La sonde se connecte automatiquement dès qu'elle est retirée du chargeur et que le Bluetooth® est activé sur les appareils couplés.

## 7 Utilisation

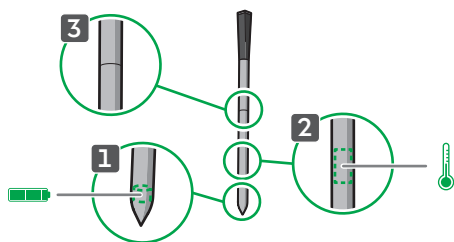
### 7.1 Mise en marche et arrêt

Lorsque vous retirez la sonde du chargeur, elle démarre automatiquement.

Pour éteindre la sonde, remettez-la dans le chargeur et fermez le couvercle.



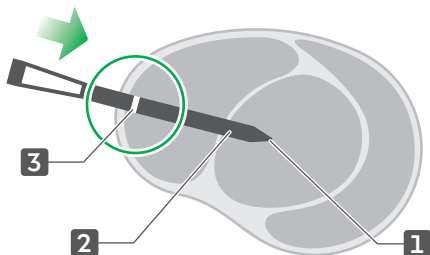
## 7.2 Structure de la sonde



1. La batterie (1) se trouve dans la pointe de la sonde. C'est là qu'elle est au mieux protégée des températures élevées.
2. Le capteur de température (2) se situe à 2 cm de la pointe. Placez cette partie le plus près possible du centre de l'aliment à cuire afin de relever la température à cœur.
3. L'encoche (3) indique jusqu'à quel point la sonde doit être enfoncée dans l'aliment à cuire.

## 7.3 Placer la sonde dans l'aliment à cuire

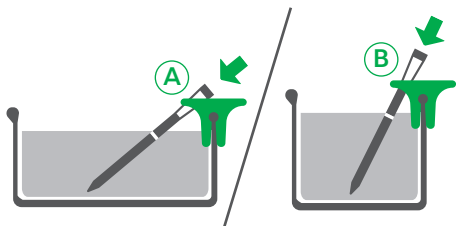
Procédez comme indiqué ci-après pour placer la sonde dans l'aliment à cuire :



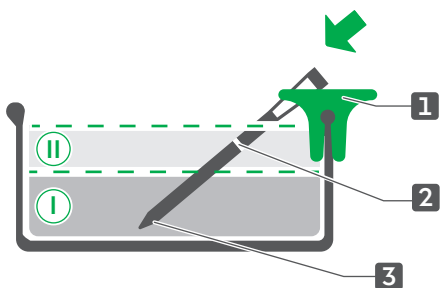
1. Introduisez la pointe (1) de la sonde dans l'aliment à cuire.
2. Le capteur de température (2), qui mesure la température à cœur, se trouve à 2 cm derrière la pointe. Placez cette partie au plus près du centre de l'aliment à cuire.
3. En même temps, l'encoche (3) disparaît dans l'aliment. Ceci garantit que le capteur de température peut relever correctement la température à cœur de l'aliment à cuire.

## Utilisation du support

Si la sonde ne tient pas debout dans la préparation (p. ex. pâte à gâteau liquide), vous pouvez la fixer au moule à l'aide du support afin d'assurer qu'elle ne glisse pas hors de la préparation. Selon la taille du moule, vous pouvez choisir entre deux angles d'insertion A et B différents. N'utilisez le support qu'avec des températures maximales de 220 °C.



Pour les pâtes qui lèvent, la profondeur d'insertion de la sonde peut varier.



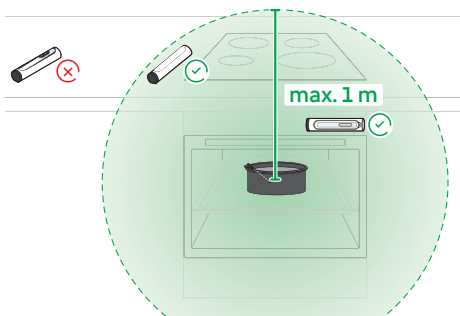
I Niveau de remplissage de la pâte avant la cuisson au four : La sonde est immergée au moins à mi-distance entre la pointe (3) et l'encoche (2). L'encoche peut être dégagée.

II Pendant la cuisson, la pâte lève : L'encoche (2) est recouverte.

1. Placez le support (1) sur le bord du moule.
2. Selon l'angle souhaité, choisissez l'ouverture A ou B et introduisez la sonde à travers le support dans la préparation.
3. Assurez-vous que la pointe (3) de la sonde n'est pas en contact avec le moule.

## 7.4 Positionner la sonde et le chargeur

Pendant la cuisson, la sonde mesure en continu la température à cœur et la température ambiante. Ces données sont envoyées par la sonde au chargeur. Le chargeur transmet les données au Thermomix® TM6 et/ou à l'application Cooking Center, il fonctionne donc comme un répéteur et amplifie le signal.



- Pour cette raison, assurez-vous que le chargeur reste toujours à proximité de la sonde, par exemple sur ou à côté du four. Le Thermomix® TM6 et/ou l'application Cooking Center peuvent être plus éloignés de la sonde et de son chargeur.

## 7.5 Cuire avec la sonde

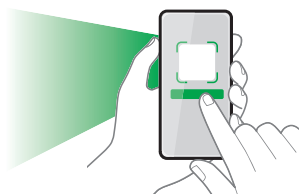
Pendant la cuisson, la sonde est connectée en permanence avec le Cooking Center de votre Thermomix® TM6 et/ou avec l'application Cooking Center. Vous obtenez ainsi des informations sur la température et le temps de cuisson restant.

- Suivez les instructions affichées sur l'écran.

## 8 Nettoyage

1. Nettoyez la sonde **avant de l'utiliser pour la première fois**, puis **après** chaque utilisation avec de l'eau et du liquide vaisselle.
2. Assurez-vous que la sonde est propre et complètement sèche avant de la replacer dans le chargeur. Un nettoyage minutieux garantit que la sonde peut se recharger.

## 9 Anomalies de fonctionnement



## 10 Service Clients

Pour de plus amples informations sur votre centre de service à la clientèle, veuillez contacter votre conseiller/ère Thermomix®, le distributeur Vorwerk officiel dans votre pays ou vous rendre sur <https://thermomix.vorwerk.com>.

## 11 Garantie/responsabilité pour défauts matériels

Le Thermomix® et ses accessoires ne peuvent être réparés que par le Service Clients de Vorwerk ou par un service technique agréé par Vorwerk.

Utilisez uniquement les accessoires fournis avec le Thermomix® ou des pièces détachées originales de Vorwerk Thermomix®. N'utilisez jamais le Thermomix® avec des accessoires ou équipements non fournis par Vorwerk Thermomix® pour Thermomix®. En cas de non-respect, tout droit à garantie ou responsabilité pour défauts matériels devient caduc.

## 12 Recyclage

---



Ce symbole signifie qu'il est interdit au propriétaire d'un appareil électrique ou électronique de jeter celui-ci ou ses composants et accessoires électriques/électroniques avec les ordures ménagères. Veuillez remettre l'appareil usagé aux points de collecte gratuits indiqués.

---

Numéro d'enregistrement :  
WEEE-Reg.-Nr. DE 86265910

## 13 Spécifications techniques

---

### Thermomix® Sensor

---

#### Sonde (TSNP)

---

Tension nominale de la sonde	2,4V
Capacité de la sonde	3mAh
Autonomies	env. 24 heures
Temps de chargement	env. 2 heures

---

#### Chargeur (TSNC)

---

Pile alcaline	AAA
Tension nominale de la pile	1,5V
Température de fonctionnement du chargeur	-5 °C – 60 °C

---

#### Connectivité Bluetooth®

---

2,4 GHz  
2,402 GHz – 2,480 GHz  
< 5 dBm  
Bluetooth® 5.0 Low Energy

---

Le nom de marque et les logos Bluetooth® sont des marques déposées et la propriété de Bluetooth SIG, Inc. Toute utilisation de ces noms/logos est concédée sous licence à Vorwerk Elektrowerke GmbH & Co. KG.

---

#### Conformité

---

Vorwerk Elektrowerke GmbH & Co. KG déclare par la présente que le type d'installation radioélectrique Thermomix® Sensor est conforme à la directive 2014/53/CE.

Le texte complet de la déclaration de conformité UE peut être consulté à l'adresse Internet suivante : <https://www.vorwerk-group.com/en/home/meta/ec-declaration-of-conformity>

---

Vorwerk Elektrowerke GmbH & Co. KG  
Mühlenweg 17-37  
42270 Wuppertal  
Allemagne

---

## ١ قبل البدء

باعتبار أنك من مستخدمي Thermomix® فقد سبق لك أن تعرفت بالفعل على Thermomix® TM6 وملحقاته.

سبق لك أن تعرفت على خصائص الأمان لمستشعر Thermomix® من خلال إطلاعك على معلومات المنتج العامة المطبوعة المرفقة مع مستشعر Thermomix®.

الآن من شأن هذا الدليل أن يطلعك على كيفية التعامل مع مستشعر Thermomix®.

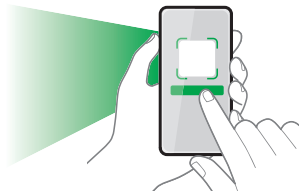
اقرأ جميع المستندات ذات الصلة قراءة متأنية قبل استخدام مستشعر Thermomix® للمرة الأولى.

يرجى أيضاً قراءة ومراعاة دليل الاستخدام المرفق مع جهازك Thermomix® TM6.

إذا لم يكن دليل الاستخدام في حوزتك، فستجد كافة أدلة الاستخدام متاحة على الإنترنت هنا <https://thermomix.vorwerk.com>.

## كتيب الترحيب

راجع كتيب التعريف الرقمي للحصول على نصائح ومزيد من التوصيات بشأن مستشعر Thermomix®. كما يضم الكتيب معلومات عن إصلاح الأعطال، والأسئلة الشائعة، ونصائح بشأن الاستخدام السليم لمستشعر Thermomix®.





## ١-١ نسق الإشارات التحذيرية

الإرشادات التحذيرية في هذا الدليل مميزة برموز السلامة وكلمات التنبيه. يشير الرمز وكلمة التنبيه إلى مقدار الخطر. الرسائل التحذيرية يجري عرضها كما يلي:

تحذير 

نوع ومصدر الخطر  
شرح نوع ومصدر الخطر/العواقب  
• إجراءات تجنب الخطر

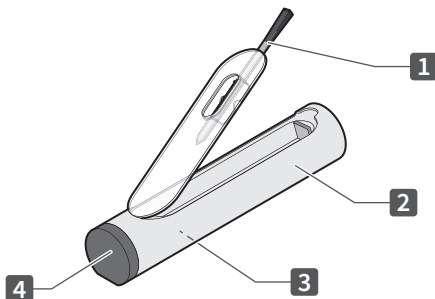
### دلالة كلمات التنبيه

تحذير	خطر الموت أو خطر التعرض لإصابة جسدية خطيرة، في حالة عدم تجنب هذا الخطر.
تنبيه	خطر التعرض لإصابة جسدية طفيفة، في حالة عدم تجنب هذا الخطر.
ملحوظة	ضرر مادي، في حالة عدم تجنب هذا الخطر.

## ٢-١ واجبات المستخدم

- لضمان تشغيل جهاز فورفرك وملحقاته على أكمل وجه، الرجاء اتباع التعليمات التالية:
1. اقرأ جميع المستندات المرفقة بعناية.
  2. احتفظ بالمستندات في مكان سهل الوصول إليه حين تحتاج إليها.
  3. بادر بإصلاح الأعطال واستبدل القطع التالفة فوراً. يرجى الرجوع إلى [خدمة العملاء](#) [54] للمزيد من المساعدة.

## ٢ نظرة عامة على المنتج



1 مسبار الحرارة	3 حجرة البطارية (في خلف الشاحن)
2 الشاحن	4 الحامل

### ٣ غرض الاستخدام

لا تستخدم الجهاز والملحقات إلا للغرض المخصصة له وبطريقة سليمة، للحد من تعرضك وتعرض غيرك للأخطار، وكذلك تعرض الجهاز وغيره من الأغراض لأي ضرر.

مستشعر Thermomix® هو ملحق تكميلي لجهاز TM6 Thermomix®. وهو يقيس درجة الحرارة الداخلية للأطعمة، وبلانم الاستخدام المنزلي أو بيئات مماثلة. مسبار الحرارة مخصص للاستخدام مع الأطعمة فقط.

يوجد في الجزء العلوي (الخزف الأسود) للمستشعر مسبار درجة الحرارة المحيطة الذي يقيس درجة الحرارة المحيطة، أي درجة الحرارة في فرن الطهي أو الشواية. لا يجب مطلقاً أن تتخطى درجة الحرارة المحيطة 275 °م. يقع مسبار درجة الحرارة الداخلية على بعد 2 سم تقريباً من الرأس وقيس درجة الحرارة الداخلية للطعام. درجة الحرارة الداخلية هي درجة الحرارة داخل الطعام. لا يتعين تعريض هذا النطاق من مسبار الحرارة لدرجة حرارة تزيد عن 100 °م.

مسبار الحرارة مخصص لقياس درجة حرارة الأطعمة في أفران الطهي المتداولة تجارياً. قد لا يتاح دائماً استخدام مسبار الحرارة في أفران الميكروويف المدمجة بسبب العزل الحراري القوي لتلك الأفران. لا تستخدم مسبار الحرارة مطلقاً مع خاصية الميكروويف في أفران الميكروويف المدمجة.

في حال عدم الاستخدام احفظ مسبار الحرارة في الشاحن في مكان جاف وبارد.

الملحق مخصص لاستخدام البالغين فقط. لا يُسمح أن يستخدمه الأطفال، سواء وحدهم أو برفقة البالغين. أبعد الأطفال عن الأجهزة المشغلة.

عند استخدام الملحق على مقربة من الأطفال، يجب مراقبتهم مراقبة دقيقة.

لا يجوز للأطفال العبث بالملحق.

غير مسموح لمحدودي القدرات البدنية أو الحسية أو العقلية أو من تنقصهم الخبرة أو المعرفة باستخدام الملحق إلا تحت إشراف أو بعد شرح كيفية الاستخدام الآمن للجهاز، وفهمهم للمخاطر التي ينطوي عليها استخدام الجهاز.

غير مسموح بأي استخدام مخالف لطريقة الاستخدام السليمة. ولا تتحمل الجهة الصانعة مسؤولية أي أضرار تتجم عن ذلك. عند إجراء أي تغييرات تقنية بالمنتج يسقط أي حق في الضمان أو كفالة العيوب. في حالة إجراء أي

تغييرات على المنتج يسقط التزام الجهة الصانعة بالاستبدال بموجب كفالة المنتج و/أو الموزع بموجب كفالة العيوب.

يفي الجهاز بتعليمات سلامة البلد الذي بيع فيه بواسطة مؤسسة معتمدة من فورفرك. عند استخدام الجهاز في بلد آخر غير البلد الذي يباع فيه، فإنه لا يمكن ضمان تليته لمعايير السلامة المحلية السارية بهذا البلد. ولذلك فإن فورفرك غير مسؤولة عن أي أخطار تتعلق بالسلامة يتعرض لها المستخدم نتيجة لذلك.

لدى جميع الأعمال التي تُجرى على الجهاز، يجب الحرص على قراءة كافة المستندات ذات الصلة والإرشادات المعروضة على شاشة الجهاز. لا تتحمل الجهة الصانعة مسؤولية الأضرار الناجمة عن سوء التصرف.

## ٤ من أجل سلامتك

تتميز منتجات فورفرك بأعلى مستوى ممكن من السلامة. ومع ذلك لا يمكن ضمان سلامة المنتج إلا إذا استخدم الجهاز للغرض المخصص له وروعت كافة إرشادات السلامة.

## ١-٤ الأخطار وإرشادات السلامة

### تحذير

#### خطر الانفجار

قد ينفجر مسبار الحرارة في حال عدم حماية البطاريات المثبتة في رأس مسبار الحرارة من الحرارة العالية (< 100 م°). لذلك:

- أدخل مسبار الحرارة في الطعام بعيداً عن جميع مصادر الحرارة، وأزله بمجرد عدم تعرض الطعام ومسبار الحرارة لمصدر الحرارة.
- أدخل مسبار الحرارة دائماً عبر الحز ومنه إلى الطعام. يستثنى من ذلك الأطعمة التي يزداد حجمها بوضوح مثل عجينة الكيك. وهنا بدايةً قد يكون الحز غير مغطى لكنه بعد ذلك سيتغطى فقط خلال عملية الخبز.
- تأكد من ثبات مسبار الحرارة وعدم انزلاقه من موضعه عن طريق الخطأ.
- لا تستخدم مسبار الحرارة مع الأطعمة المعتمدة على السكر (مثل الكراميل) لأنها تتطلب درجة حرارة عالية بشكل كبير.

## خطر الانفجار

قد ينفجر مسبار الحرارة في حال تعرض البطاريات المثبتة داخله للسخونة الزائدة.

- استخدم مسبار الحرارة مع درجة حرارة محيطة أقصاها 275 °م.
- لا تضع مسبار الحرارة **مطلقاً** في النار أو الفحم المشتعل.
- لا تعرض مسبار الحرارة لألسنة لهب مباشرة مطلقاً.
- لا تستخدم مسبار الحرارة خلال التحمير الغزير أو على حرارة عالية جداً (مثل "نطاق التعرض للأزيز" أو "نطاق التعرض للسع").
- لا تستخدم مسبار الحرارة **مطلقاً** مع خاصية الميكروويف أو في طنجرة الضغط.
- إذا تعرض مسبار الحرارة رغم ذلك لدرجات حرارة مفرطة احمي عينيك أولاً قبل إزالة مسبار الحرارة وتركه يبرد بالتدريج.
- في حال سقوط مسبار الحرارة في النار أو على مصدر حرارة مباشرة أطفئ جهاز الطهي أو الشواية وأغلق الغطاء على الفور. اترك مسبار الحرارة يبرد تماماً قبل أن تستخرجه.

## خطر الانفجار

الشاحن وخصوصاً البطارية المزودة معه، غير مقاومين للحرارة.

- لا تعرض البطارية والشاحن لمصادر حرارة وخصوصاً النار المكشوفة ولا تضعهما على أسطح ساخنة.
- استخدم الحامل المغناطيسي على أبواب الأفران الباردة والعازلة للحرارة فقط.

## خطر الانفجار

- في حال سقوط البطارية أو إلقائها أو تعرضها لصدمات أخرى قوية يمكن أن يتضرر الجسم العازل لها أو مكونات البطارية ما قد يؤدي إلى تسريب أو ماس كهربائي داخلي أو غير ذلك من الأوضاع غير الاعتيادية. يمكن أن يؤدي الماس الكهربائي الداخلي إلى السخونة الزائدة أو التسريب أو الانفجار أو الحريق.
- تعامل مع البطارية بعناية.

## خطر التعرض لحروق

في حال ارتفاع درجة الحرارة المحيطة سوف يسخن كل من مسبار الحرارة والطعام.

- لا تلمس مسبار الحرارة الساخن بيد عارية أبداً.
- لحماية نفسك من الحروق يجب إرتداء قفازات مقاومة للحرارة، أو قفازات الفرن أو استخدام الحامل إذا كنت ستلمس مسبار الحرارة الساخن أو الفرن أو الشواية أو ما شابه.

## خطر الحريق

في حال استخدام بطاريات غير ملائمة يمكن أن يترتب على ذلك التحميل الميكانيكي الزائد (سقوط الشاحن) اندلاع حريق.

- لا تستخدم سوى بطاريات قلوية غير قابلة للشحن من الفئة LR03 و AAA و خلية 1,5 فولت (خلية أساسية 1,5 فولت).
- تعامل مع الشاحن بعناية.

## خطر على الصحة

يمكن أن يؤدي تناول أطعمة غير مطهية بدرجة كافية (خصوصاً اللحوم أو الأسماك أو المأكولات البحرية) إلى تسمم غذائي.

- راجع أيضاً الفصل **اختيار درجة الحرارة الداخلية** [48].

- تأكد من غرز رأس مسبار الحرارة في منتصف الجزء الأكثر سماكة للطعام دون أن يلمس العظم أو القالب/الصاج.
- تعامل مع الأطعمة وأماكن وجودها بعناية ونظفها جيداً (بما في ذلك الأيدي ومسبار الحرارة) لتجنب انتشار الجراثيم.

## خطر على الصحة

- درجة الحرارة المقررة لسلامة الحامل مع الطعام تصل إلى 220 °م فقط.
- لا تستخدم الحامل مطلقاً مع درجة حرارة محيطة تتجاوز 220 °م.

## خطر التعرض للإصابة

- قد يتضمن الخزف المكسور أطرافاً حادة تسبب جروحاً.
- افحص مسبار الحرارة عند تركيبه وإزالته من الطعام من حيث عدم وجود أضرار.
- توقف عن استخدام مسبار الحرارة إذا كان مكسوراً.
- عليك حماية نفسك من شظايا الأطراف الحادة.
- إذا سقط مسبار الحرارة تأكد من فحصه قبل أن تشحنه أو تستعمله فقد يكون هناك أضرار.

## خطر التعرض للإصابة

- رأس مسبار الحرارة مدبب.
- أبعاد رأس مسبار الحرارة عن جسمك.
- نظف مسبار الحرارة بعد الاستخدام لتجنب خطر الجراثيم في حال التعرض للإصابة.
- احفظ مسبار الحرارة بعيداً عن تناول الأطفال.

## خطر ناجم عن ملامسة مواد خطيرة!

تسرب الإلكتروليت من البطاريات والبطاريات القابلة للشحن قد يؤدي إلى إصابات.

- لا تلمس الإلكتروليت وبقايا الإلكتروليت المتسربة من البطاريات أو البطاريات القابلة للشحن المتسربة دون ارتداء واقي للجلد والعين.
- لا يجوز أن يلامس الإلكتروليت المتسرب الجلد أو العينين أو الأغشية المخاطية.
- في حالة التلامس عن طريق الخطأ، يجب غسل اليدين وشطف العينين أو الأغشية المخاطية مباشرة بمياه نقية عذبة.
- في حالة استمرار التهيج أو ملامسة الإلكتروليت العينين أو الأغشية المخاطية، فيجب التوجه إلى طبيب.
- اغسل الملابس والمنسوجات التي لامست الإلكتروليت أو بقايا الإلكتروليت المتسرب، بعناية فوراً أو تخلص منها.
- الإلكتروليت المتسرب، أو بقايا الإلكتروليت، أو البطاريات والبطاريات القابلة للشحن والمسربة قابلة للاشتعال. فأبعدها عن النار والحرارة.

## خطر ناجم عن ملامسة مواد خطيرة!

تسرب الإلكتروليت ووصوله إلى الطعام قد يؤدي إلى إصابات.

- في حال انفجار البطاريات لا تتناول الأطعمة التي سبق تحضيرها.

## خطر الاختناق!

يمكن أن تدخل الأجزاء الصغيرة في مجرى التنفس وتسبب الاختناق.

- بطارية AAA المستخدمة في الشاحن تعتبر أجزاءً صغيرة. يجب إبعاد الأجزاء الصغيرة عن متناول الأطفال.

## خطر ناجم عن القوة المغناطيسية!

هناك أجسام مغناطيسية ملتصقة بالسطح الخارجي للشاحن. يمكن أن تلتصق الأجسام المغناطيسية منظم ضربات القلب أو مزبل الرجفان الداخلي.

- احفظ الأجسام المغناطيسية بعيدة عن منظم ضربات القلب أو مزبل الرجفان الداخلي أو غيرهما من الأجهزة النشطة المزروعة داخل الجسم.
- حذر الأفراد المعنيين بذلك.

## خطر الانفجار أو خطر الحريق!

قد يؤدي شحن البطاريات غير القابلة لإعادة الشحن إلى نشوب حريق أو انفجار!

- لا تستخدم سوى بطاريات قلووية غير قابلة للشحن من الفئة LR03 و AAA و خلية 1,5 فولت (خلية أساسية 1,5 فولت).

## خطر التلف

- يمكن أن يتعرض الشاحن للضرر في حال التعامل معه بطريقة غير سليمة.
- لا تضع مسبار الحرارة في الشاحن إلا إذا كان باردًا ونظيفًا وجافًا.

## خطر التلف

- يمكن أن يتعرض مسبار الحرارة للضرر في حال التعامل معه بطريقة غير سليمة.
- اترك مسبار الحرارة يبرد تمامًا قبل تنظيفه بالماء.
  - إذا وجدت صعوبة في إزالة مسبار الحرارة فقم بشد وإدارة نهاية الطرف الخارجي.
  - لا تقم بثني مسبار الحرارة.
  - تعامل مع مسبار الحرارة بعناية.

## خطر التلف

- يمكن أن يتعرض مسبار الحرارة للضرر في حال استخدامه بطريقة غير صحيحة.
- يجب **عدم** تجاوز درجة الحرارة 100 °م في نطاق مسبار درجة الحرارة الداخلية (على بعد 2 سم من الرأس).
  - يجب **عدم** تجاوز درجة الحرارة 275 °م في نطاق مسبار درجة الحرارة المحيطة، قد يتعرض مسبار الحرارة للضرر إذا تخطت درجات الحرارة الحد الأقصى.
  - في حالة وصول الحرارة لتلك الحدود سيتم اصدار تحذير من Thermomix® TM6 وتطبيق Cooking Center، وذلك لضمان سلامة مسبار الحرارة.

## خطر التلف

- قد يؤدي التنظيف غير السليم إلى إتلاف الجهاز.
- لا تستخدم أي منظفات تحتوي على الكحول أو الأمونيا أو البنزين أو مواد خادشة لأنها قد تعرض الجهاز للضرر.
  - لا تغمس مسبار الحرارة في الماء لفترة زمنية طويلة.

## خطر تلف الشاحن

- وجود رطوبة داخل الشاحن قد تعرضه للتلف.
- لا تسكب الماء على الشاحن أبداً.
- لا تضع الشاحن تحت ماء جارٍ أبداً.
- يجب عدم غمس الشاحن أبداً في الماء أو أي سائل آخر.
- لا تنظف الشاحن إلا بمنشفة رطبة قليلاً وليست مبللة.
- لا تعرض الشاحن للرطوبة.
- احرص على تغطية الشاحن في حال سوء الأحوال الجوية.
- لا تضع الشاحن في حوض غسل الصحون.
- لا تخزن الشاحن في الأماكن الخارجية.

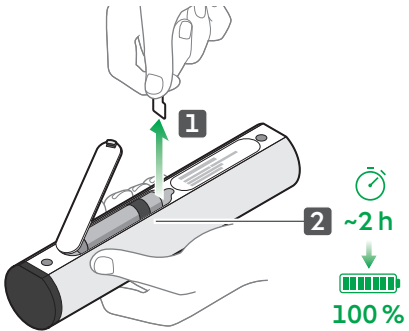
## خطر التلف الناجم عن القوة المغناطيسية

- هناك أجسام مغناطيسية مثبتة بالسطح الخارجي للشاحن.
- لذلك أبعد البطاقات الائتمانية ووسائل التخزين الإلكترونية وغيرها من المتعلقات الحساسة تجاه المجالات المغناطيسية.

## ٢-٤ اختيار درجة الحرارة الداخلية

عند اختيار درجة الحرارة الداخلية أو الأساسية، يجب أن يؤخذ في الاعتبار جودة الطعام والتعامل الآمن معه وصيانة سلسلة التبريد. تعتبر درجات الحرارة الأساسية الآمنة ذات أهمية خاصة للأشخاص الذين يعانون من ضعف الجهاز المناعي، بما في ذلك النساء الحوامل والأطفال وكبار السن.

## ٥ بدء الاستخدام

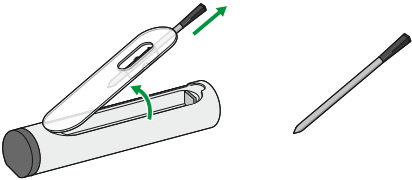


1. افتح حجرة البطارية الموجودة في خلف الشاحن وأزل اللاصق الواقعي.
2. اترك مسبار الحرارة في الشاحن لمدة ساعتين تقريباً مع بقاء الغطاء مغلقاً.





3. قم بتنزيل تطبيق Cooking Center.



4. فك مسبار الحرارة من الشاحن. سوف تومض لمبة البيان باللون الأخضر للإشارة إلى أن مسبار الحرارة والشاحن متصلين.
5. نظف مسبار الحرارة بالماء والمنظفات السائلة لإزالة أي ترسبات محتمل قد تتجت قبل استخدام مسبار الحرارة للمرة الأولى.

## ٦ التوصيل بالبلوتوث®

تطبيق Cooking Center	TM6® Thermomix
تأكد من تنشيط خاصية البلوتوث® لجهازك المحمول.	نشط خاصية البلوتوث® من الإعدادات في TM6® Thermomix
اضغط علامة + داخل التطبيق لاختيار مسبار الحرارة من القائمة تحت بند اختيار الأجهزة.	أزل مسبار الحرارة من الشاحن. تم تمكين وضع الاقتران.
اختر مسبار الحرارة من القائمة المعروضة على TM6® Thermomix تحت الإعدادات < أجهزة متصلة.	

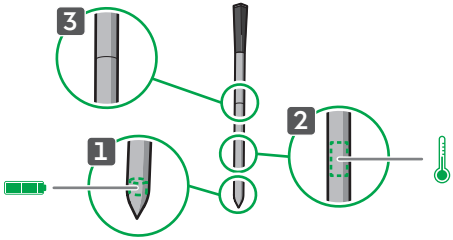
سيتم توصيل مسبار الحرارة تلقائيًا بمجرد نزعها من الشاحن وتنشيط البلوتوث® مع الأجهزة المقترنة.

## ٧ الاستخدام

### ١-٧ التشغيل والإطفاء

عند نزع مسبار الحرارة من الشاحن سيبدأ التشغيل تلقائيًا. لإطفاء مسبار الحرارة أعده مجددًا إلى الشاحن وأغلق الغطاء.

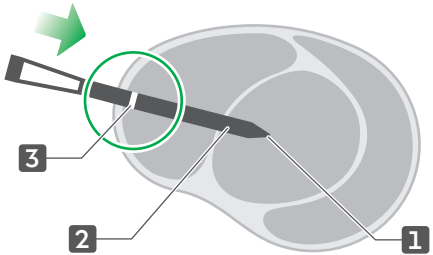
## ٢-٧ مكونات مسبار الحرارة



1. بطارية مسبار الحرارة (1) وهي موجودة في طرف مسبار الحرارة. في هذا المكان يتم حمايتها من السخونة الزائدة بأفضل طريقة ممكنة.
2. مسبار درجة الحرارة (2) وهو موجود على بعد 2 سم تقريباً من الطرف. ضع هذا الجزء من مسبار الحرارة بالقرب من مركز محتويات الطهي قدر الإمكان لقياس درجة الحرارة الداخلية قياساً دقيقاً.
3. حزام الأمان (3) يوضح إلى أي مدى من العمق يجب أن يصل إليه مسبار الحرارة المغروز في محتويات الطهي.

## ٣-٧ وضع مسبار الحرارة في محتويات الطهي

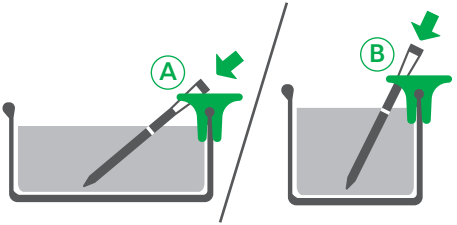
لوضع مسبار الحرارة في محتويات الطهي اتبع الخطوات التالية:



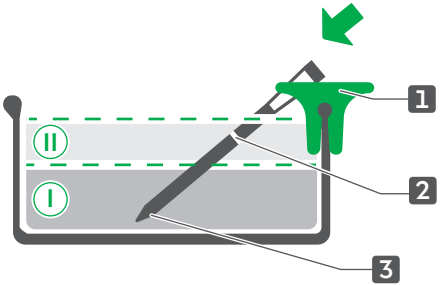
1. أدخل رأس مسبار الحرارة (1) في محتويات الطهي.
2. يقع مسبار درجة الحرارة (2) الذي يقيس درجة الحرارة الداخلية على بعد 2 سم خلف الرأس. ضع هذا الجزء في وسط محتويات الطهي قدر الإمكان.
3. في تلك الأثناء يختفي حزام الأمان (3) داخل محتويات الطهي. بذلك تضمن أن يتمكن مسبار درجة الحرارة من قياس درجة الحرارة الداخلية لمحتويات الطهي قياساً صحيحاً.

باستخدام الحامل

إذا لم يثبت مسبار الحرارة بالدرجة الكافية داخل محتويات الطهي (مثلاً بسبب خليط الكيك أو عجينة خفيفة القوام) يمكنك تثبيته في قالب باستخدام الحامل لضمان بقاء مسبار الحرارة في الوضعية السليمة. يمكنك الاختيار بين زاويتي إدخال مختلفتين A و B بحسب حجم وطبيعة القالب. استخدم الحامل مع درجة حرارة أقصاها 220 °م فقط.



يمكن أن يختلف عمق إدخال مسبار الحرارة في حال العجين المختمر أو الخليط السائل.

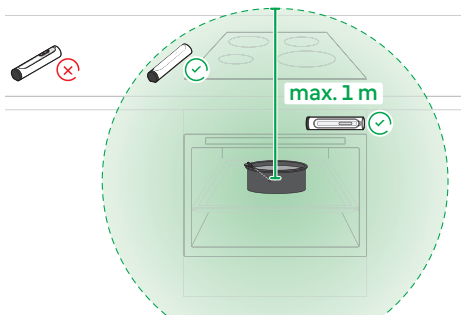


- |  |  |
|--|--|
| <p>II ارتفاع العجين خلال الخبز: سيجعل الحز (2) غير مرئي.</p> | <p>I ا حشو العجين قبل الخبز: يتم غمس مسبار الحرارة للمتصف على الأقل ما بين الرأس (3) والحز (2). عندها سيكون الحز مرئي بـ 1 سم تقريباً.</p> |
|--|--|

1. ضع الحامل (1) على حافة قالب الخبز.
2. اختر الفتحة A أو B بحسب الزاوية المرغوبة وادفع مسبار الحرارة عبر الحامل ومنه إلى محتويات الطهي.
3. تأكد من أن رأس مسبار الحرارة (3) لا يلمس قالب الخبز.

## ٤-٧ وضع مسبار الحرارة والشاحن

خلال عملية الطهي يرصد مسبار الحرارة باستمرار درجة الحرارة الداخلية ودرجة الحرارة المحيطة. ويرسل هذه البيانات إلى الشاحن التي تمررها بدورها إلى TM6 Thermomix® أو إلى تطبيق Cooking Center أي أنها تعمل كمكرر وتقوي الإشارة.



1. لذلك ضع الشاحن على بعد متر 1 بحد أقصى من مسبار الحرارة. لكن هذا يعتمد على مدى تغطية إشارة البلوتوث وذلك بسبب باب الفرن كمثال لذلك، لهذا السبب قد تكون قرب المسافة ضرورية أحياناً. يمكن وضع

Cooking Center أو تطبيق TM6® Thermomix على مسافة أبعد من مسبار الحرارة والشاحن.

2. ضع الشاحن على سطح خارجي بارد. يمكنك تثبيت الشاحن بالأجسام المغناطيسية على واجهة الفرن إذا كانت ستظل باردة خلال عملية الطهي.

أو ضع الشاحن على سطح العمل للمطبخ بمكان قريب.

إذا كان الشاحن متصلاً بمسبار الحرارة فستومض لمبة الشاحن باللون الأخضر.

إذا لم ينشأ أي اتصال فستومض لمبة الشاحن باللون الأحمر. في هذه الحالة قرب الشاحن من مسبار الحرارة أكثر.

## 5-7 الطهي بمساعدة مسبار الحرارة

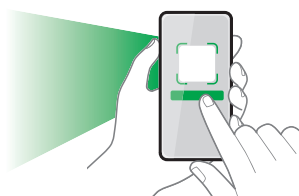
خلال عملية الطهي يكون مسبار الحرارة متصلاً على الدوام بمركز الطهي لجهازك TM6® Thermomix أو بتطبيق Cooking Center. هكذا ستحصل على معلومات عن درجة الحرارة ووقت الطهي المتبقي.

- اتباع التعليمات على الشاشة.

## ٨ التنظيف

1. نظف مسبار الحرارة قبل الاستخدام الأولي و بعد كل استخدام بالماء وسائل التنظيف.

2. تأكد من نظافة مسبار الحرارة وجفافه بالكامل قبل إعادته إلى الشاحن. يضمن التنظيف الشامل سهولة شحن مسبار الحرارة.



## ١٠ خدمة العملاء

للمزيد من المعلومات عن خدمة العملاء في بلدك، يرجى التواصل مع مندوب أو مندوبة Thermomix® في بلدك أو مع الموزع الرسمي لشركة فورفرك، أو استعن بموقعنا الإلكتروني: <https://thermomix.vorwerk.com>

## ١١ الضمان / كفالة العيوب

لا يجوز إجراء إصلاحات على جهاز Thermomix® والملحقات إلا بواسطة شركة فورفرك أو مركز إصلاحات معتمد من شركة فورفرك.

لا تستخدم سوى قطع الغيار الأصلية الموردة مع جهاز Thermomix® أو قطع الغيار الأصلية من فورفرك Thermomix®. لا تستخدم جهاز Thermomix® أبداً بأجزاء أو أجهزة غير صادرة عن فورفرك Thermomix® لجهاز Thermomix®. وإلا سيسقط حقك في الضمان أو كفالة العيوب.

الرمز يعني ما يلي:



لا يُسمح بالتخلص من الأجهزة الكهربائية والإلكترونية ضمن نفاية المنزل. يمكنك تسليم أجهزتك الإلكترونية القديمة مجاناً في إحدى نقاط إعادة التدوير المحلية.

وعوضاً عن ذلك يمكنك تسليم جهازك القديم لدى متجر فورفرك.

رقم التسجيل:

WEEE-Reg.-Nr. DE 86265910

مستشعر Thermomix®	
<b>مسبار الحرارة (TSNP)</b>	
2.4 فولت	الجهد الاسمي للمستشعر
3 ملي أمبير ساعة	قدرة مسبار الحرارة
24 ساعة تقريباً	فترات التشغيل
ساعتان تقريباً	مدة الشحن
<b>الشاحن (TSNC)</b>	
AAA	بطارية قلووية
1.5 فولت	الجهد الاسمي للبطارية
5-° م إلى 60° م	درجة حرارة تشغيل الشاحن
<b>معلومات قدرة التوصيل للبلوتوث®</b>	
2,4 GHz	
2,402 GHz – 2,480 GHz	
< 5 dBm	
Bluetooth® 5.0 Low Energy	
<p>العلامة التجارية بلوتوث® وكذلك الرمز الخاص بها (الشعارات) هي علامات تجارية مسجلة ومملوكة لشركة Bluetooth SIG, Inc وأي استخدام لهذه العلامة / الرموز بواسطة Vorwerk Elektrowerke GmbH &amp; Co. KG يتم بموجب ترخيص.</p>	
<b>مطابقة المعايير</b>	
<p>تقر Vorwerk Elektrowerke GmbH &amp; Co. KG أن طراز الجهاز اللاسلكي لمستشعر Thermomix® مطابق للمواصفة 2014/53/EU.</p> <p>نص بيان مطابقة المعايير الأوروبية متاح بصورته الكاملة على الموقع التالي: <a href="https://www.vorwerk-group.com/en/home/meta/ec-declaration-of-conformity">https://www.vorwerk-group.com/en/home/meta/ec-declaration-of-conformity</a></p>	
<p>Vorwerk Elektrowerke GmbH &amp; Co. KG Mühlenweg 17-37 42270 Wuppertal Deutschland</p>	









# thermomix

